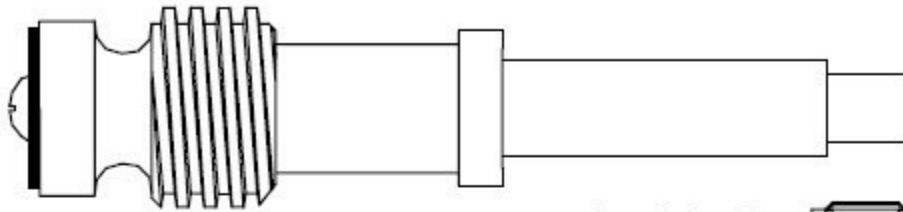
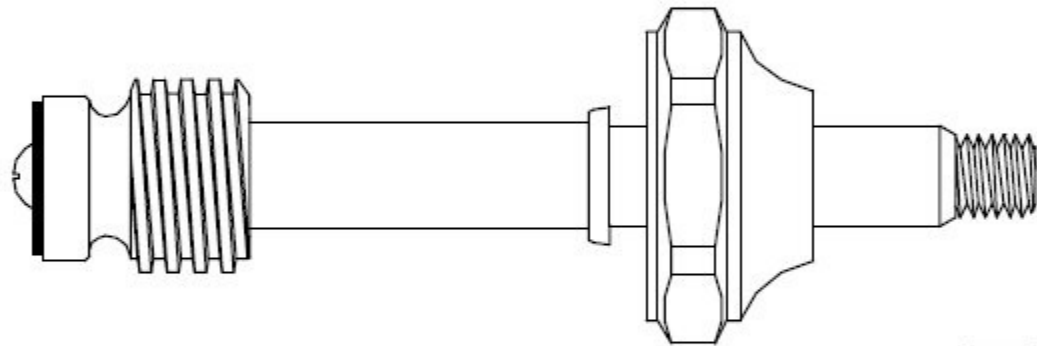
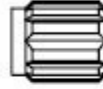


# FOR GLAUBER WEST COAST



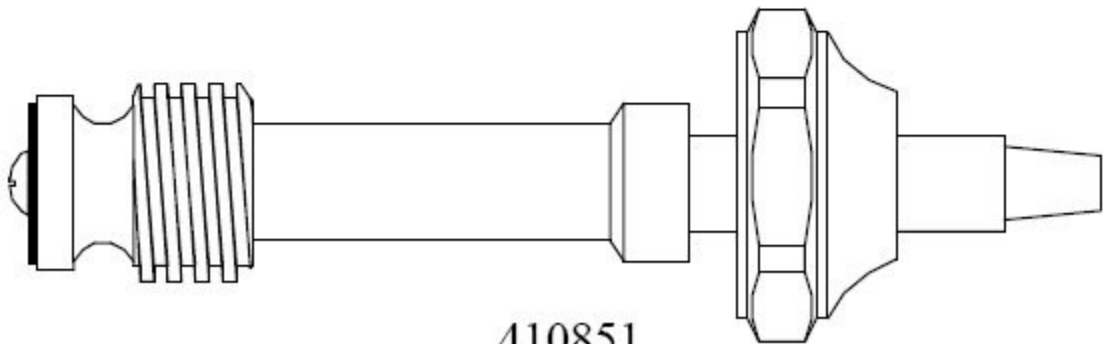
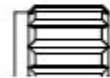
203951

Supplied with  
12pt. Broach



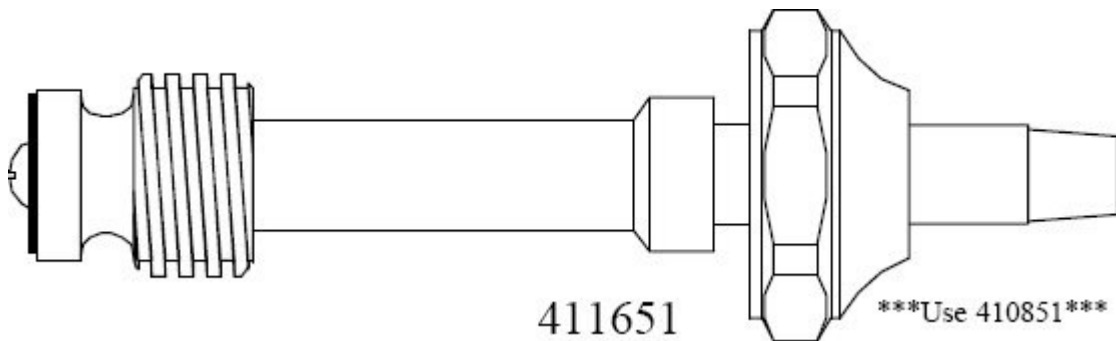
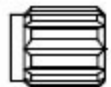
408151

Supplied with  
12pt. Broach



410851

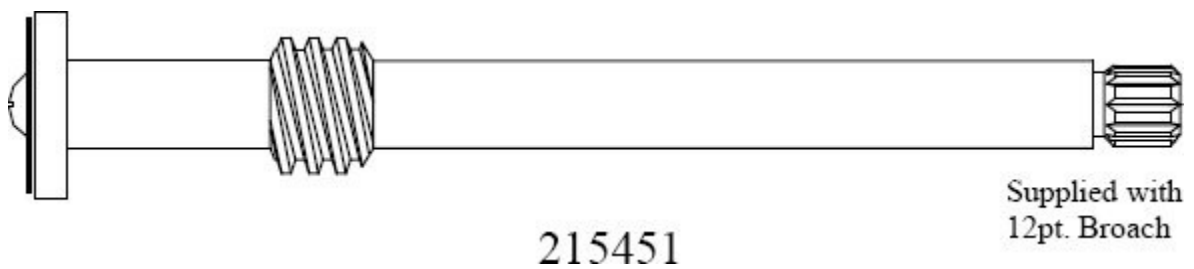
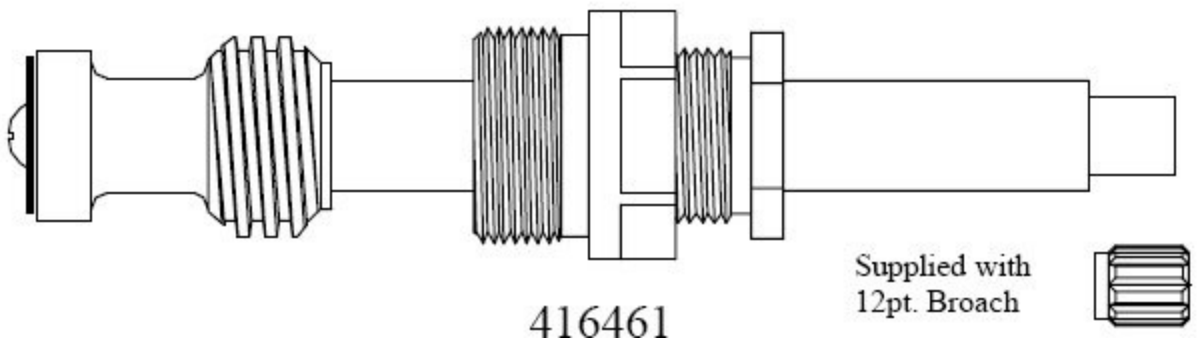
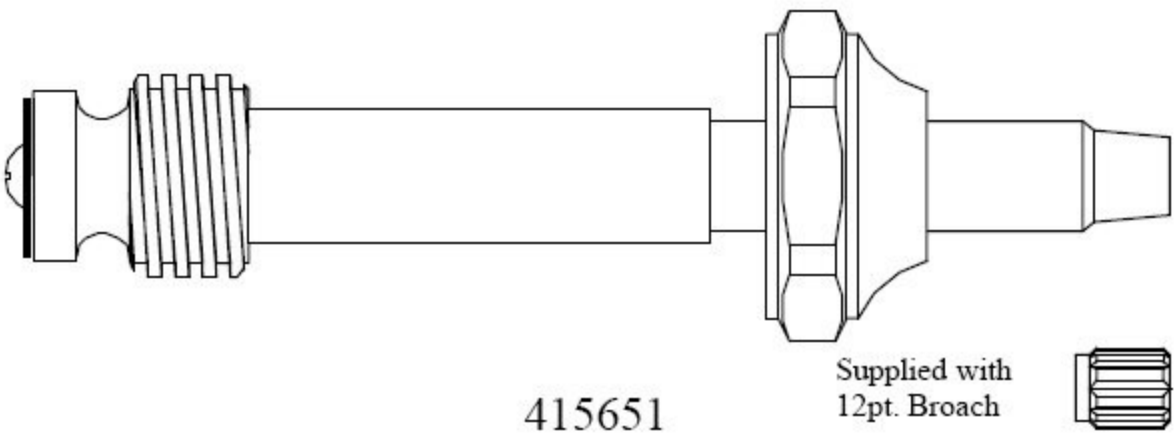
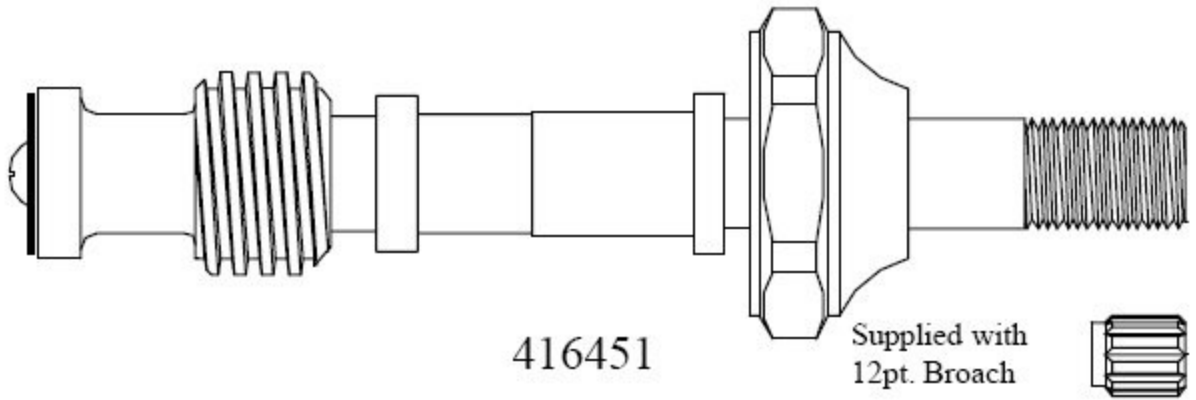
Supplied with  
12pt. Broach



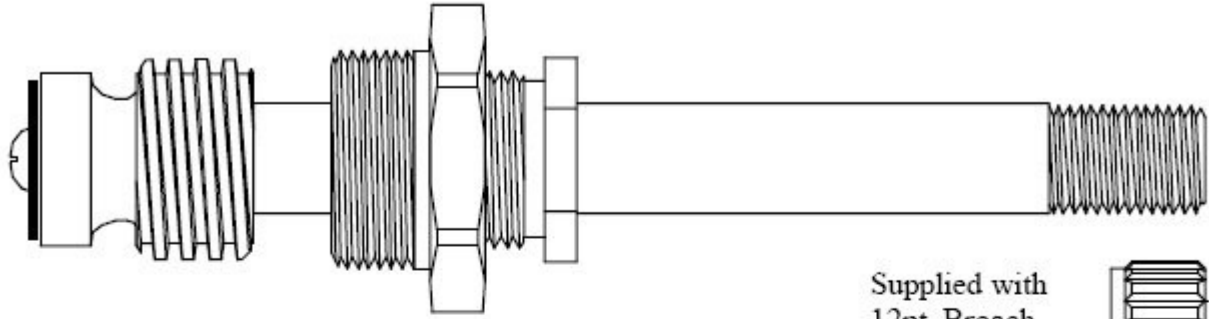
411651

\*\*\*Use 410851\*\*\*

# FOR GLAUBER WEST COAST

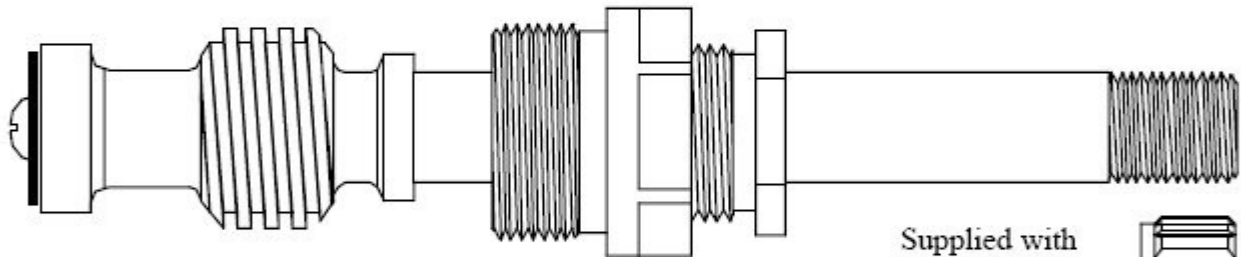
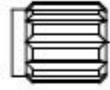


# FOR GLAUBER WEST COAST



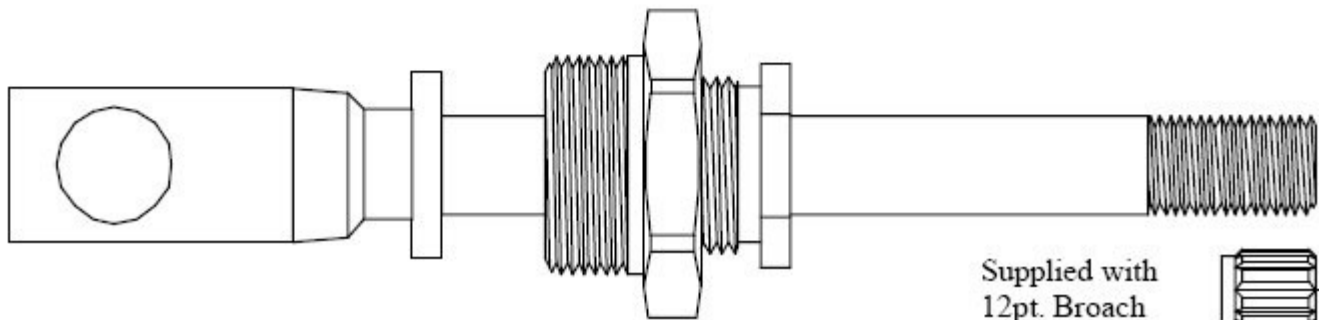
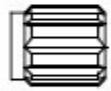
418651

Supplied with  
12pt. Broach



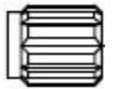
422451

Supplied with  
12pt. Broach

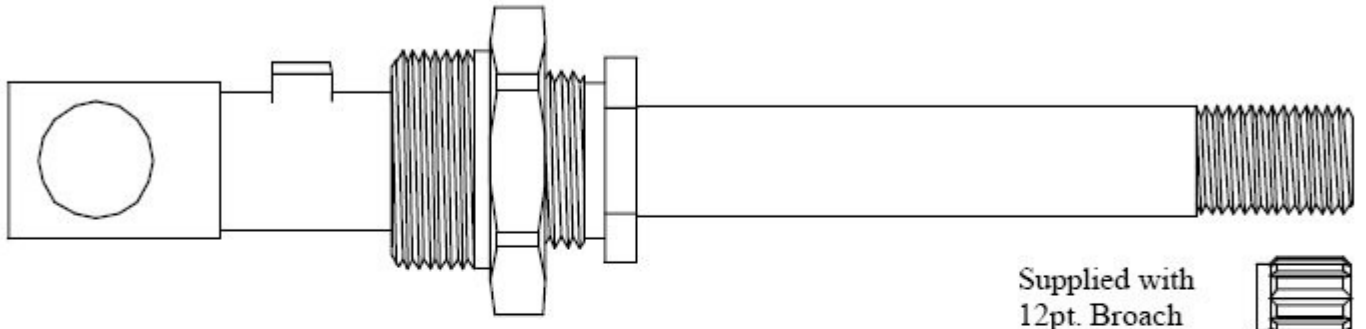


437050

Supplied with  
12pt. Broach

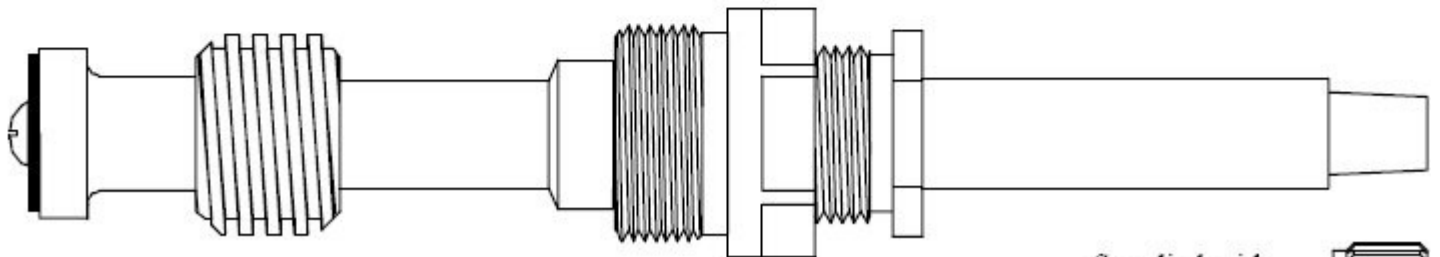
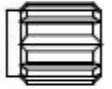


FOR **GLAUBER WEST COAST**



436250

Supplied with  
12pt. Broach



424351

Supplied with  
12pt. Broach

